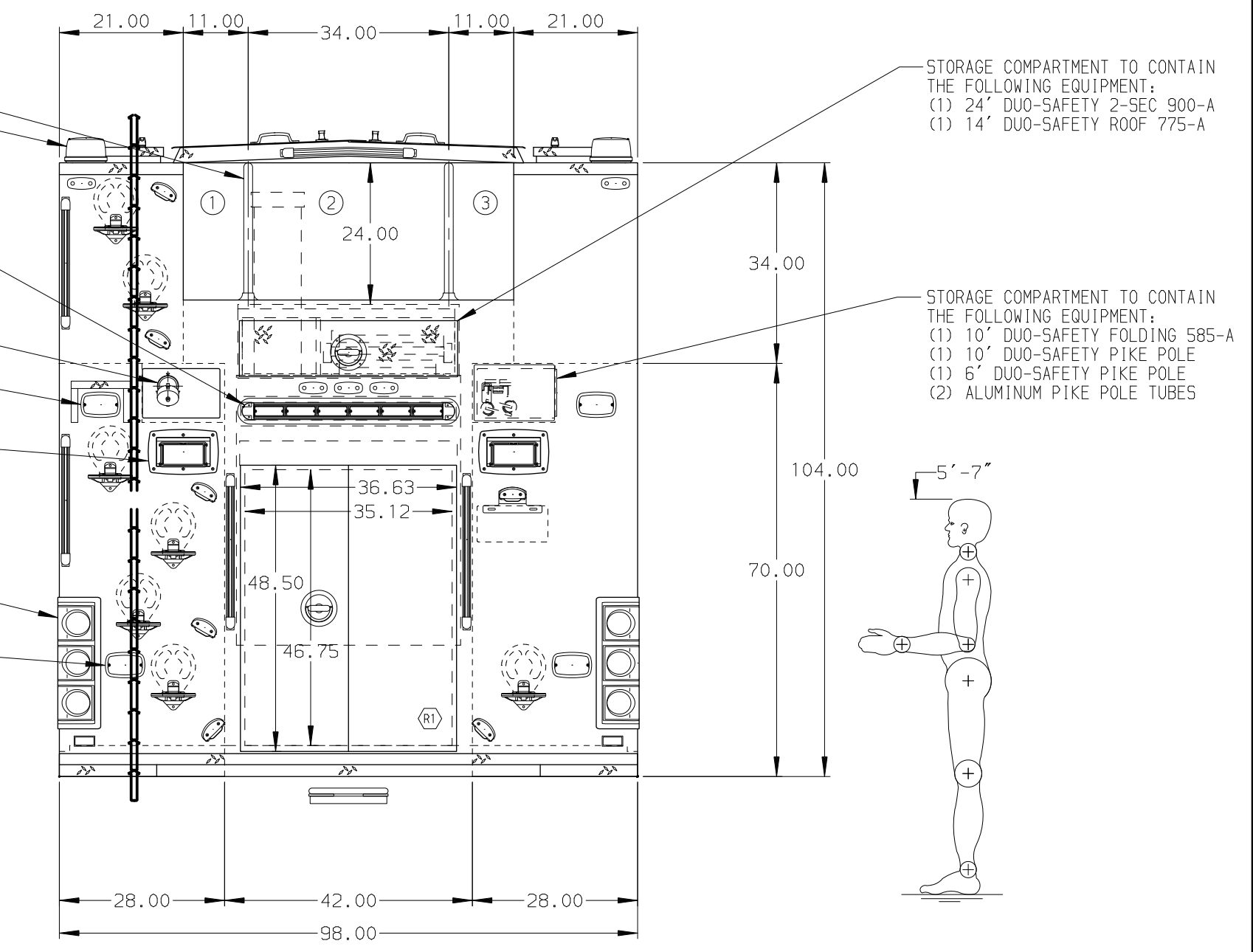
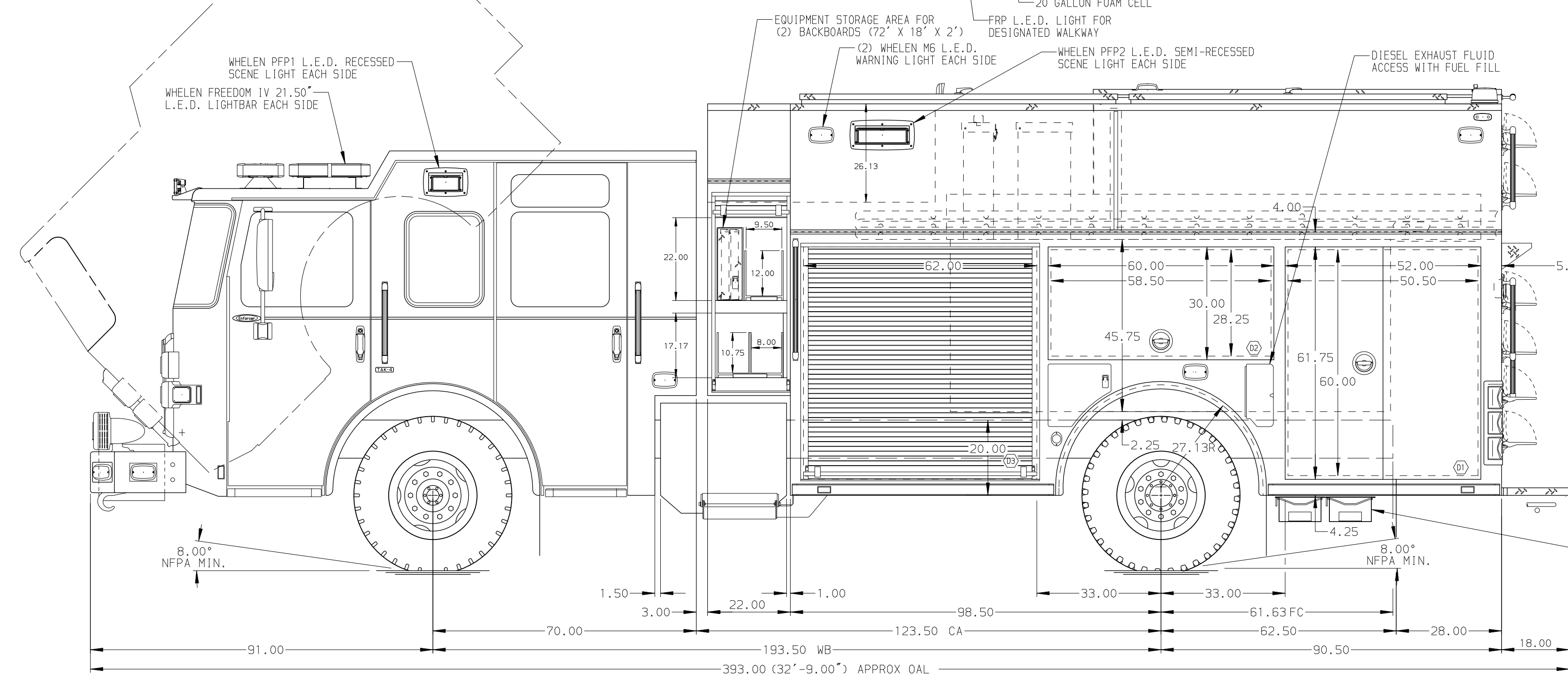


- HOSEBED CAPACITIES
- ① 500' OF 2.50" D.J. HOSE
 - ② 1000' OF 5.00" D.J. HOSE
 - ③ 500' OF 2.50" D.J. HOSE



ALUMINUM BODY

NOTE
DIMENSIONS SHOWN ARE APPROXIMATE AND ARE SUBJECT TO MINOR DEVIATIONS AS MAY OCCUR OR BE NECESSARY IN CONSTRUCTION. MINOR DETAILS NOT SHOWN.

- 1. HYDRAULIC OIL RESERVOIR FOR HUSKY 12 FOAM SYSTEM LOCATED IN FRONT BODY MODULE
- 2. AIR INLET WITH DISCONNECT FITTING LOCATED IN DRIVER SIDE STEP WELL
- 3. BATTERY CHARGER LOCATED BEHIND DRIVER SEAT
- 4. BATTERY CHARGER INDICATOR LOCATED ON DRIVER SIDE SEAT RISER
- 5. SHORELINE RECEPTACLE WITH KUSSMAUL SUPER AUTO EJECT LOCATED IN DRIVER SIDE STEP WELL

| REV | DATE | BY | CH | ENFORCER |
|---------|------|-----|----|----------|
| 30JAN18 | BST | COR | | |
| 20DEC17 | BST | COR | | |
| 25OCT17 | CCA | CDU | | |

| | | | | | |
|----------------------------------|---------|---|------------|-----|------------------|
| | | JOB NO. | 31690 | | |
| | | SCALE | DATE | | |
| Pierce MANUFACTURING INC. | TITLE | 1500-D-750P W/20 GAL FOAM CELL, DELUGE, HUSKY 12 189 PUC RESCUE BODY, EQUIPMENT RACK ABOVE TANK | DRAWN BY | BST | 100CT17 |
| | FOR | BURTON CITY FIRE DEPARTMENT BURTON, MI | CHECKED BY | CCA | 190CT17 |
| | DWG NO. | 31690AD-SH1 | SHEET SIZE | D | SHEET NO. 1 OF 2 |