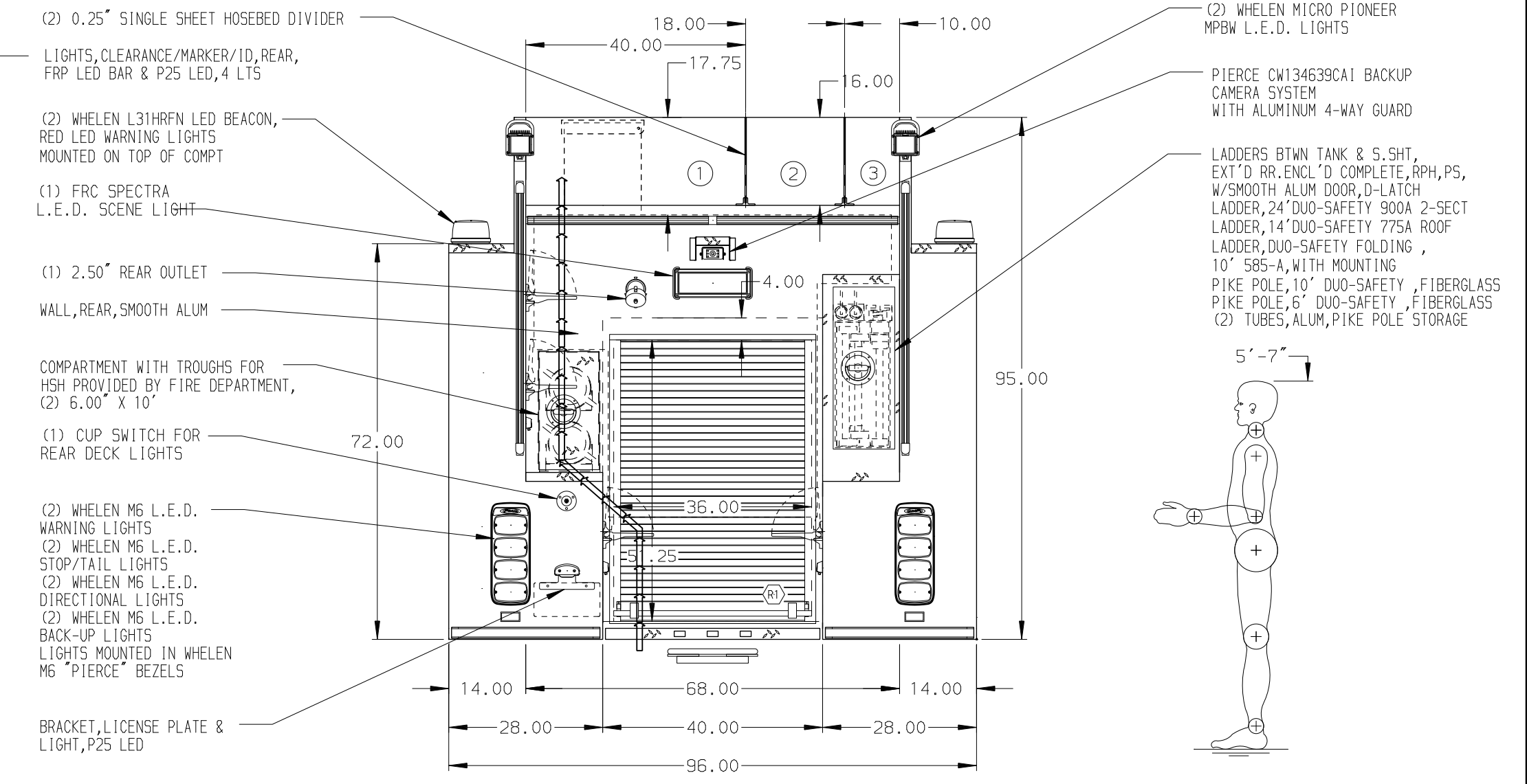
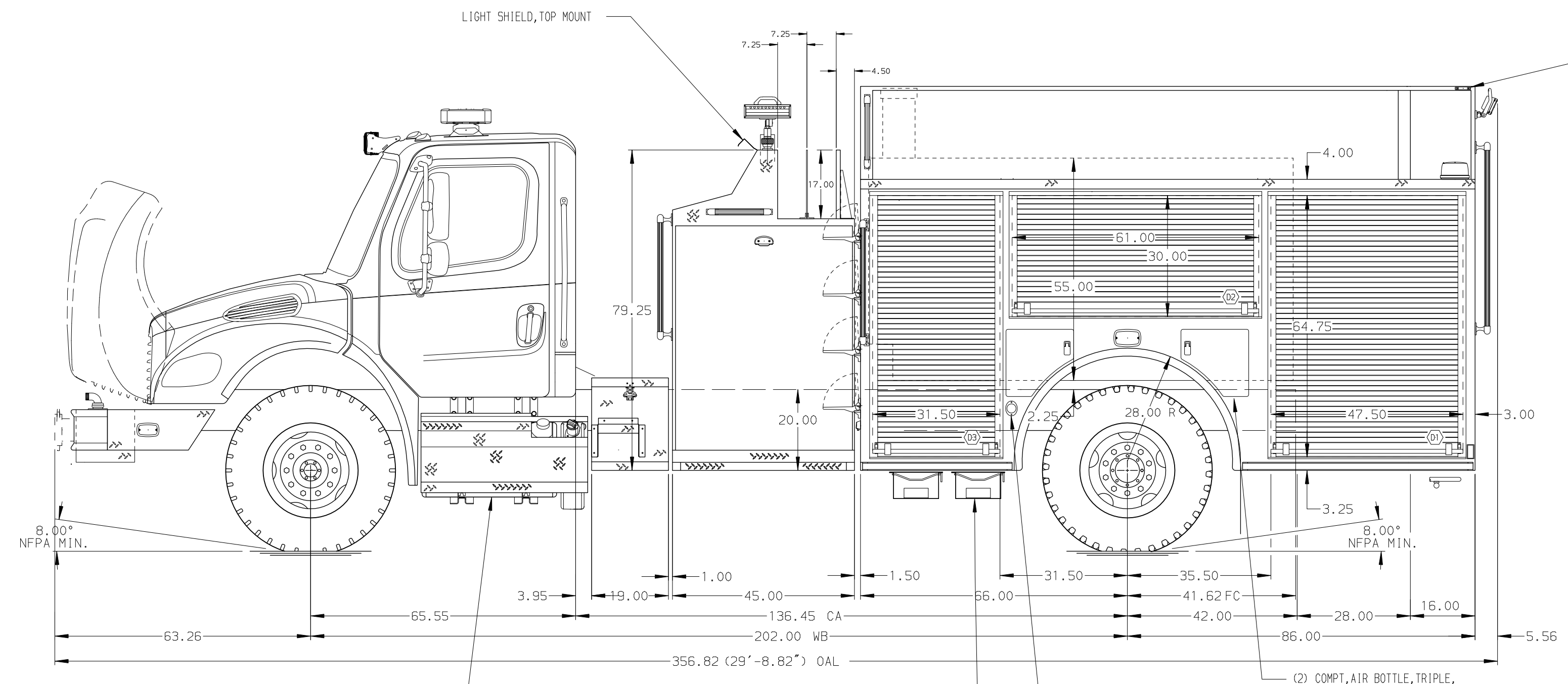


- HOSEBED CAPACITIES
- ① 800' OF 5.00" D.J. POLYESTER HOSE
  - ② 500' OF 2.50" D.J. POLYESTER HOSE
  - ③ 500' OF 1.75" D.J. POLYESTER HOSE



**ALUMINUM BODY**

**NOTE**  
DIMENSIONS SHOWN ARE APPROXIMATE AND ARE SUBJECT TO MINOR DEVIATIONS AS MAY OCCUR OR BE NECESSARY IN CONSTRUCTION. MINOR DETAILS NOT SHOWN.

**Pierce** MANUFACTURING INC.  
BRADENTON, FLORIDA

29MAR18	JLA	NAS	MAKE	CHASSIS DATA	TITLE	1500-D-1000 POLY, 152" BODY DS & PS FULL HGT, FDLR 45" TOP MNT W/19" WALKWAY, (2) 1.5" CROSSLAYS	JOB NO.	31946		
01MAR18	RWI	NAS	FL				FOR	HAMLIN TOWNSHIP FIRE DEPARTMENT LUDINGTON, MICHIGAN	SCALE	1:24
22NOV17	RWI	JAF	MODEL				DWG NO.	31946AD	DRAWN BY	JLA
REV	DATE	BY	CH				M2-106		CHECKED BY	RWI
							SHEET SIZE	D		
							SHEET NO.	1 OF 1		