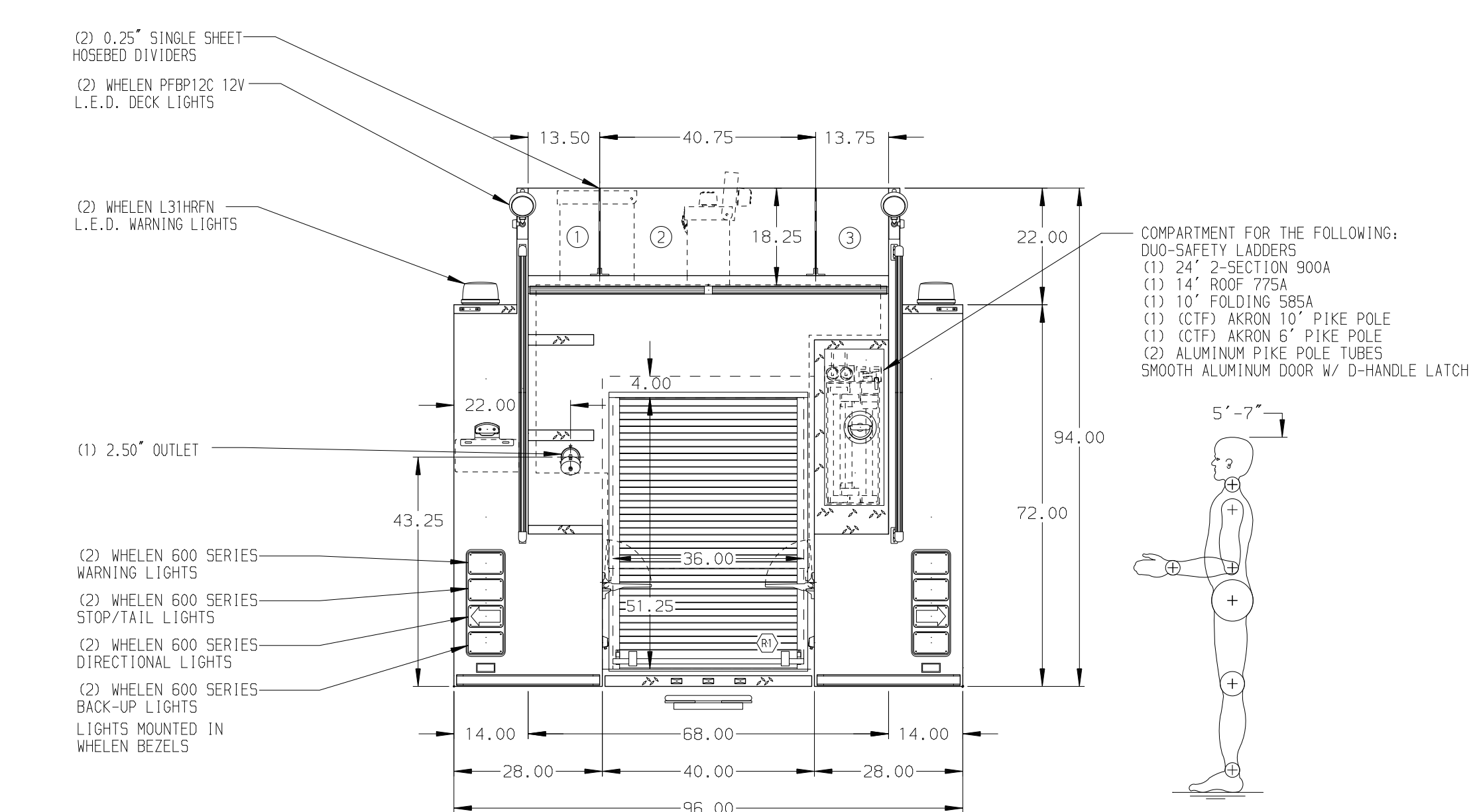


- HOSEBED CAPACITIES
- ① 500' OF 2.50" D.J. HOSE
  - ② 1000' OF 5.00" D.J. HOSE
  - ③ 500' OF 2.50" D.J. HOSE



ALUMINUM BODY

NOTE  
DIMENSIONS SHOWN ARE APPROXIMATE AND ARE SUBJECT TO MINOR DEVIATIONS AS MAY OCCUR OR BE NECESSARY IN CONSTRUCTION. MINOR DETAILS NOT SHOWN.

		JOB NO.	32032
		SCALE	DATE
<b>Pierce MANUFACTURING INC.</b>		DRAWN BY	08NOV17
		CHECKED BY	08NOV17
TITLE 1500-D-1000P, 975 GAL WATER W/ 25 GAL FOAM, 152" PUMPER BODY, SIDE CONTROL, LADDERS BESIDE TANK. FOR PIERCE FIELD UNIT BRADENTON, FLORIDA		SHEET SIZE	SHEET NO.
		DWG NO.	1 OF 1

CHASSIS DATA	TITLE	1500-D-1000P, 975 GAL WATER W/ 25 GAL FOAM, 152" PUMPER BODY, SIDE CONTROL, LADDERS BESIDE TANK.
MAKE	FOR	PIERCE FIELD UNIT
MODEL	DWG NO.	32032AD
REV	DATE	BY
07DEC17	JAF	CAG
		CH
		SABER FR