

**PUMPER
BODY**

Long Aluminum 2nd Gen Pumper

CHASSIS

Enforcer Chassis

**CHASSIS
AXLE, FRONT, CUSTOM**

19,500 Lb TAK-4 Axle

AXLE, REAR

27,000 Lb Dana Axle

ENGINE

450 HP Cummins L9 Engine

TRANSMISSION

Allison 5th Gen, 3000 EVS P

BUMPER

19" Extended Stainless Steel

CAB

7010 Enforcer Cab

**BODY
WATER TANK**

1000 Gallon Poly Water Tank

COMPT, PUMPER, REAR

44.50" FF RollUp Rear Compt

COMPT, PUMPER, LEFT SIDE

161" RollUp Full Height Front & Rear FDLR

COMPT, PUMPER, RIGHT SIDE

161" RollUp Full Height Front & Rear FDLR

**FIRE SUPPRESSION
PUMPHOUSE**

52" Control Zone Side Mount

PUMP

1500 GPM Waterous CSU

CROSSLAYS, 1.50"

(2) 1.50" Standard Capacity

CROSSLAYS, 2.50"

(1) 2.50" Standard Capacity

SPEEDLAYS

Speedlays Not Required

GENERATOR

Generator Not Required

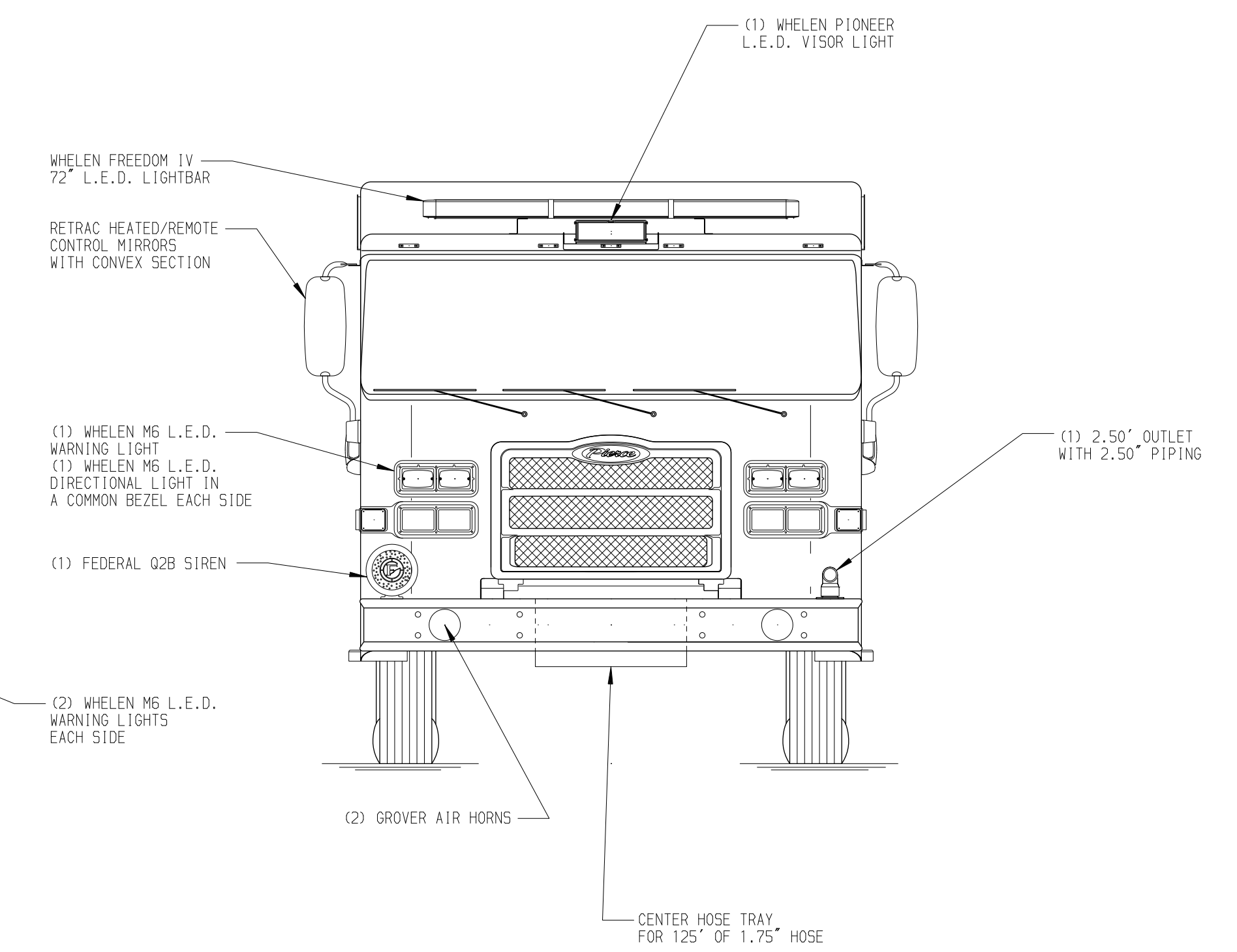
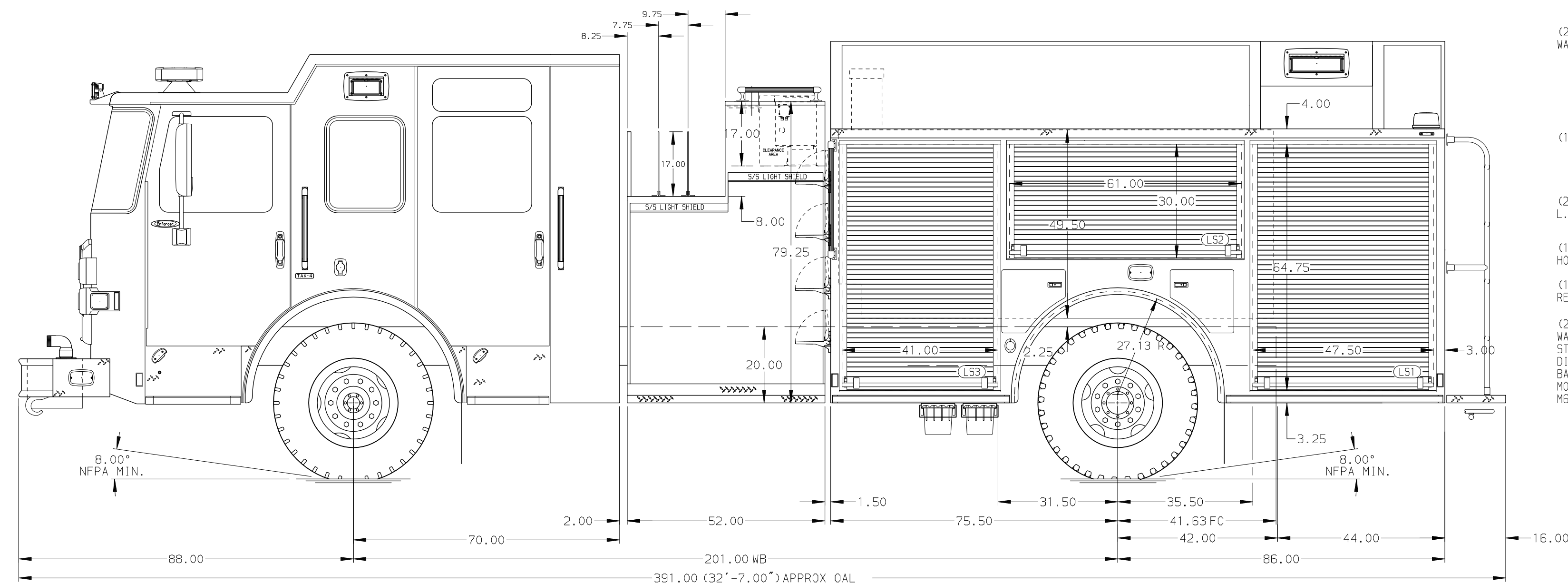
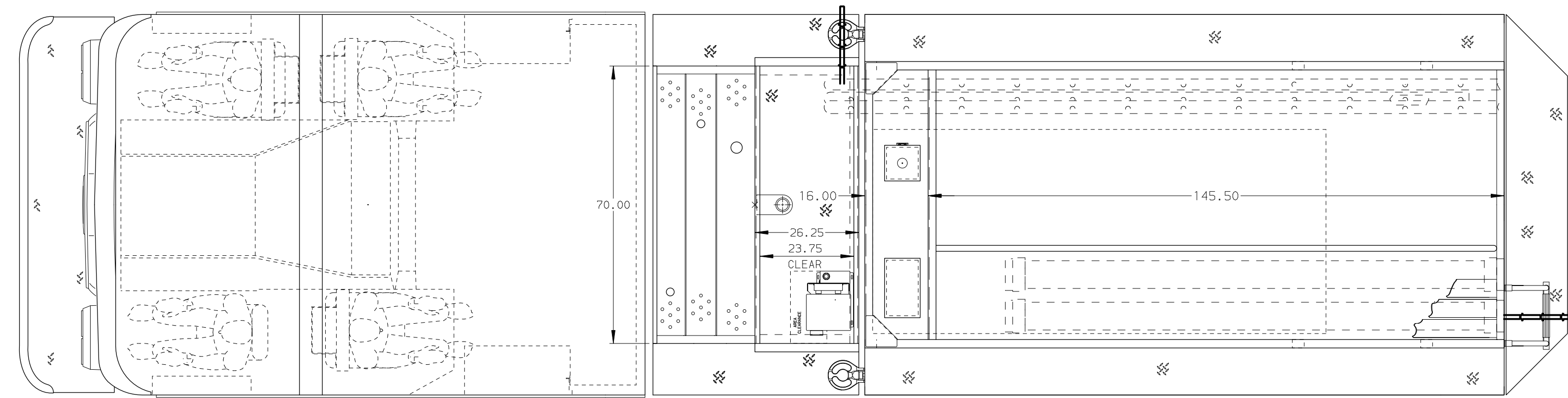
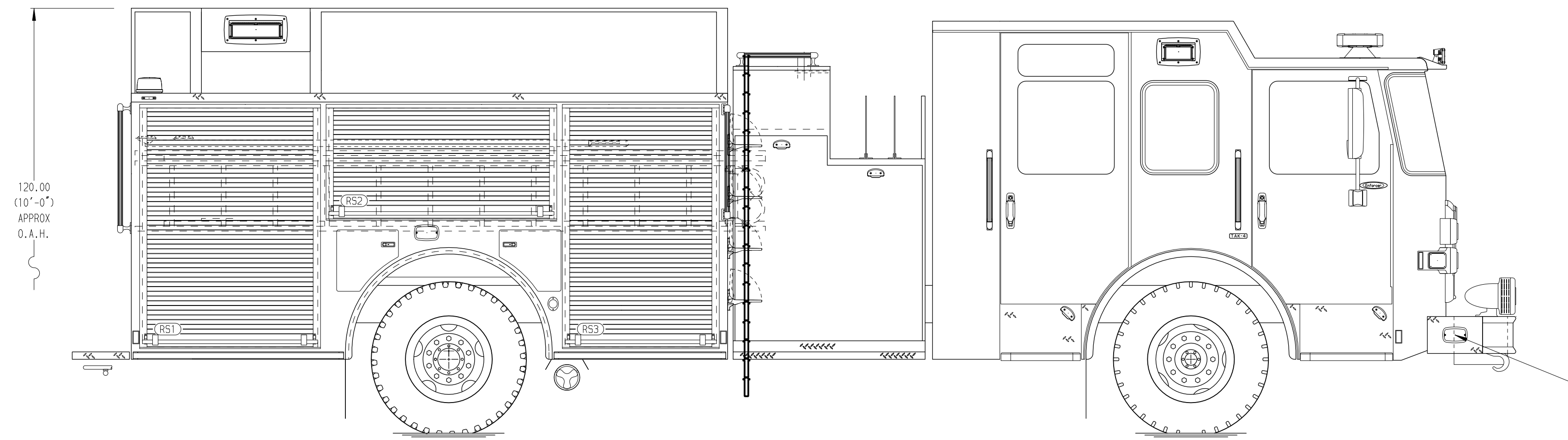
Foam System

Husky 3 Single Agent Foam System

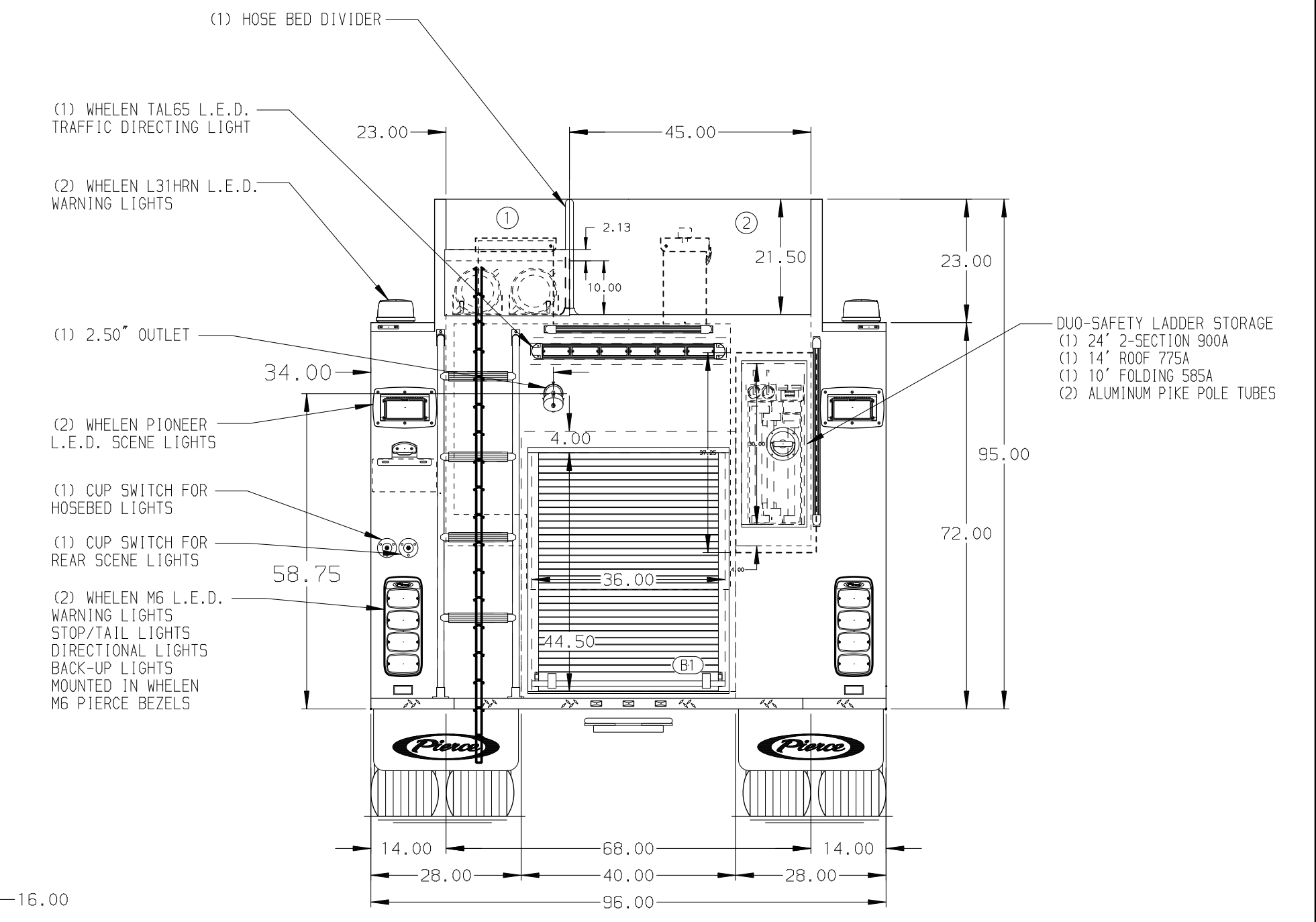
Foam Cell

30 Gallon Foam Cell, Reduced Water

120.00
(10'-0")
APPROX
O.A.H.



HOSEBED CAPACITY	
BED 1	500' OF 2.50" D.J. POLY HOSE
BED 2	1000' OF 5.00" D.J. POLY HOSE



NOTE
DIMENSIONS SHOWN ARE APPROXIMATE AND ARE SUBJECT TO MINOR DEVIATIONS AS MAY OCCUR OR BE NECESSARY IN CONSTRUCTION. MINOR DETAILS NOT SHOWN.

- SHORELINE RECEPTACLE WITH KUSSMAUL SUPER AUTO-EJECT LOCATED ON DRIVER SIDE OF THE CAB
- AIR INLET WITH DISCONNECT COUPLING IN THE DRIVER SIDE STEPWELL
- BATTERY CHARGER LOCATED IN COMPARTMENT PER SHOP ORDER
- BATTERY CHARGE INDICATOR LOCATED ON THE DRIVER SIDE SEAT RISER
- SIX ADJUSTABLE SHELVES IN COMPARTMENTS PER SHOP ORDER
- ONE FLOOR MOUNTED SLIDE-OUT TRAY IN COMPARTMENT PER SHOP ORDER
- ONE SWING-OUT TOOL BOARD LOCATED IN COMPARTMENT PER SHOP ORDER

REV	DATE	BY	CH
27JAN21		MMF	PPE

Pierce MANUFACTURING INC.		JOB NO.	35815
TITLE		SCALE	DATE
Pierce Pumper Approval Drawing		1:24	
FOR		DRAWN BY	30NOV20
Leelanau Township Emergency Service		CHECKED BY	2DEC20
DWG NO.		SHEET SIZE	SHEET NO.
35815AD		D	1 OF 1