

PASSENGER'S SIDE COMPARTMENTS CONTAIN THE FOLLOWING:

COMPARTMENT P1 CONTAINS:

- (1) FLOOR MOUNTED TRAY
- (1) STD DEPTH ADJ SHELF

COMPARTMENT P2 CONTAINS:

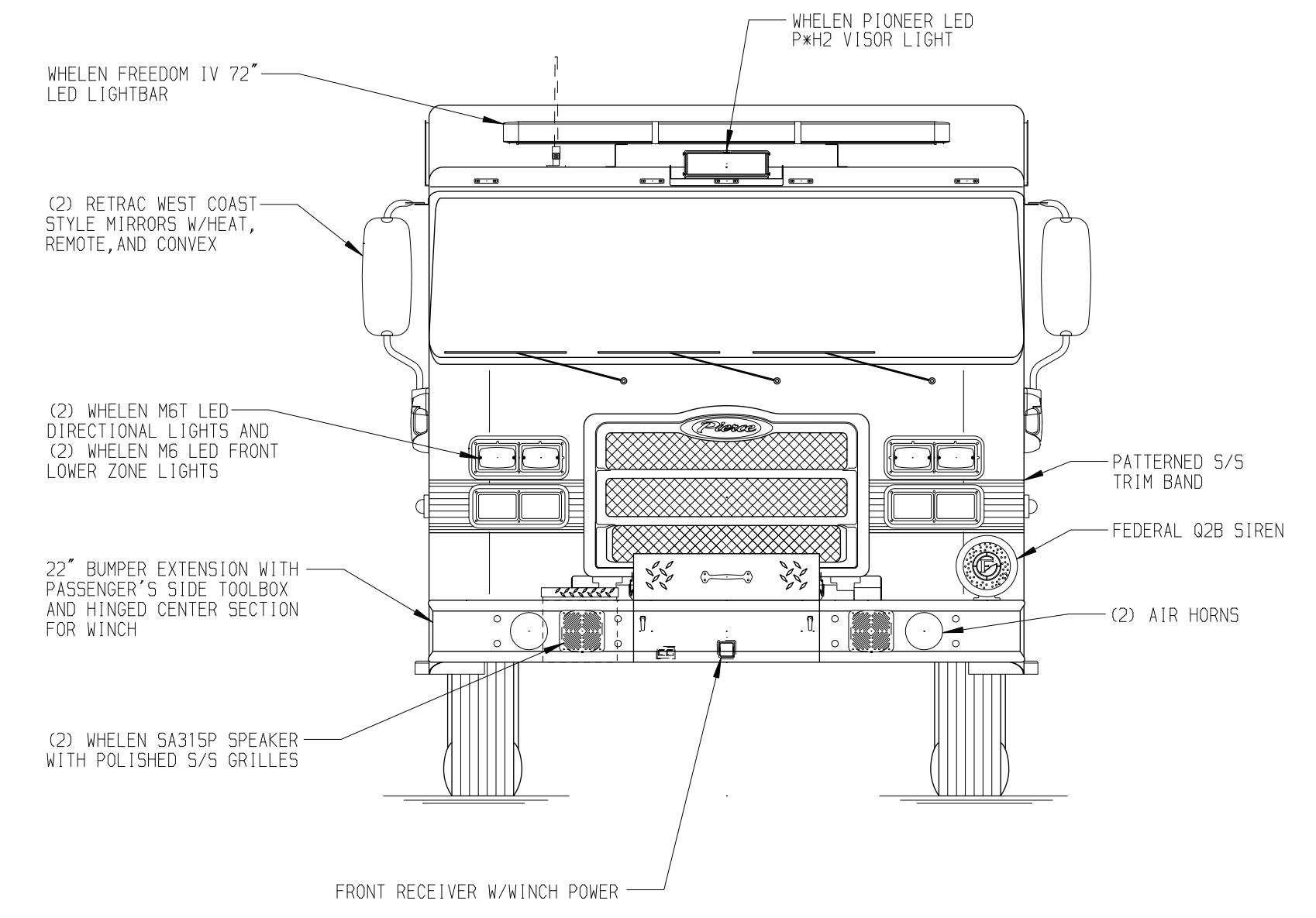
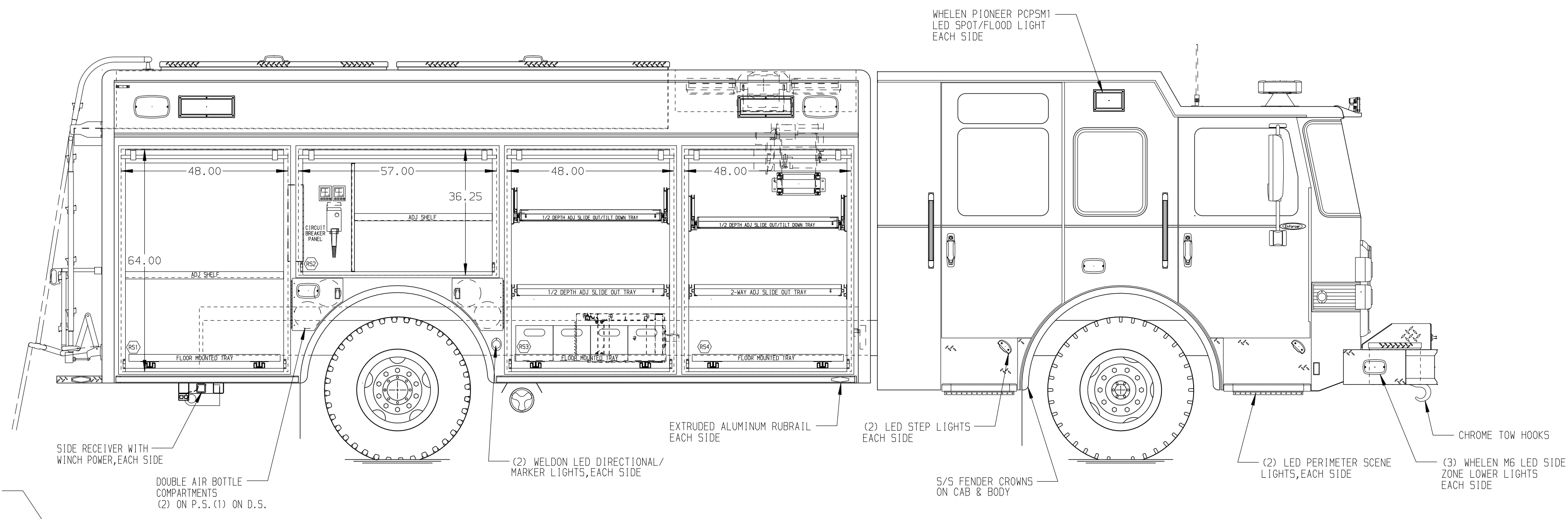
- (1) VERTICAL COMPARTMENT DIVIDER
- (1) CIRCUIT BREAKER PANEL
- (1) NIGHT SCAN CONTROLLER
- (1) GENERATOR METER PANEL
- (1) STD DEPTH ADJ SHELF

COMPARTMENT P3 CONTAINS:

- (1) 1/2 DEPTH ADJ SLIDE OUT/TILT TRAY
- (1) FLOOR MOUNTED TRAY
- (1) REAR WALL COMPARTMENT DIVIDER
- (1) 1/2 DEPTH ADJ SLIDE OUT TRAY
- (4) POLY TOOL BOXES

COMPARTMENT P4 CONTAINS:

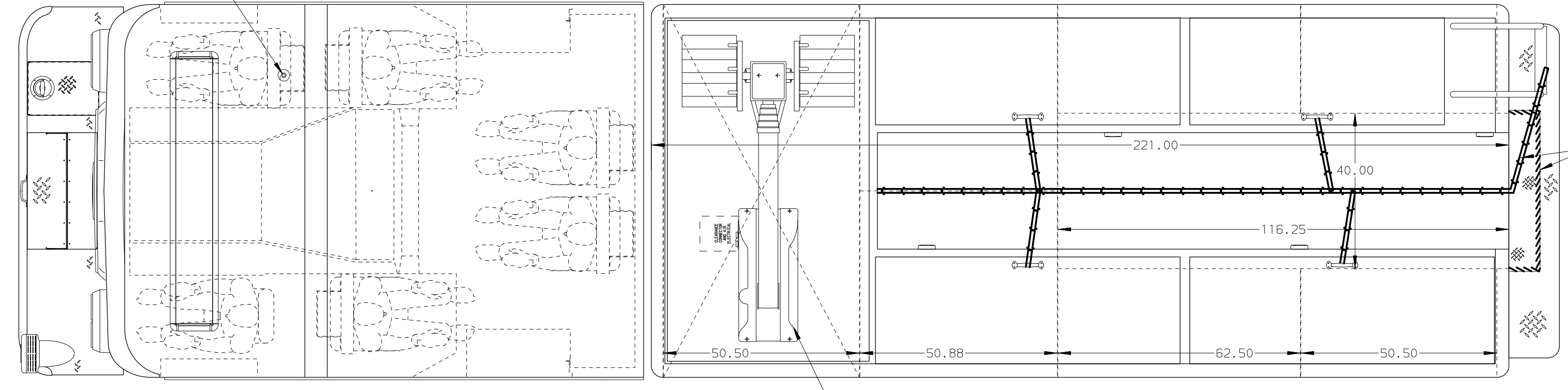
- (1) 1/2 DEPTH ADJ SLIDE OUT/TILT TRAY
- (1) FLOOR MOUNTED TRAY
- (1) CAB LIFT CONTROLLER
- (1) 2-WAY ADJ SLIDE OUT TRAY
- (1) ELECTRIC CABLE REEL W/200' OF 10/3 YELLOW CORD & CAPTIVE ROLLER



REAR COMPARTMENT CONTAINS THE FOLLOWING:

COMPARTMENT R1 CONTAINS:

- (1) 110" DP SLIDE OUT TRAY
- (1) FLOOR MOUNTED RACK
- (1) STOKES BASKET RACK



DRIVER'S SIDE COMPARTMENTS CONTAIN THE FOLLOWING:

COMPARTMENT D1 CONTAINS:

- (2) STD DEPTH ADJ SLIDE OUT TOOLBOARDS

COMPARTMENT D2 CONTAINS:

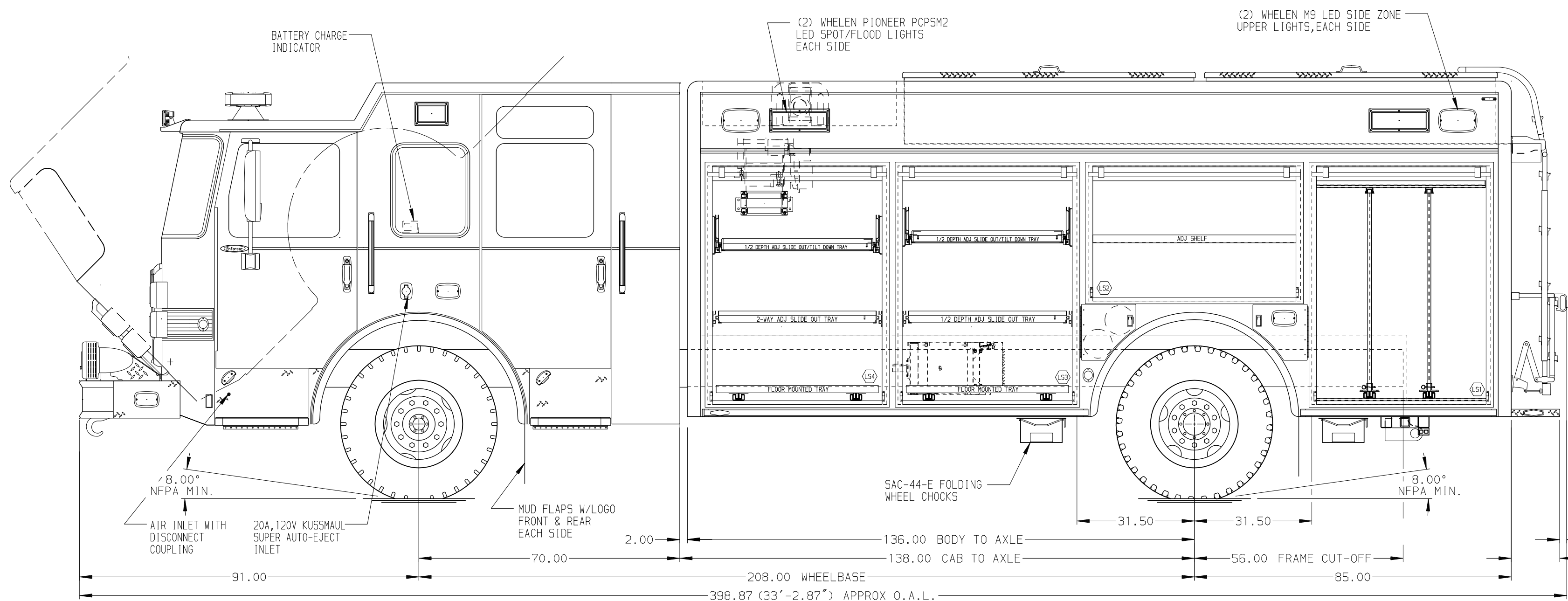
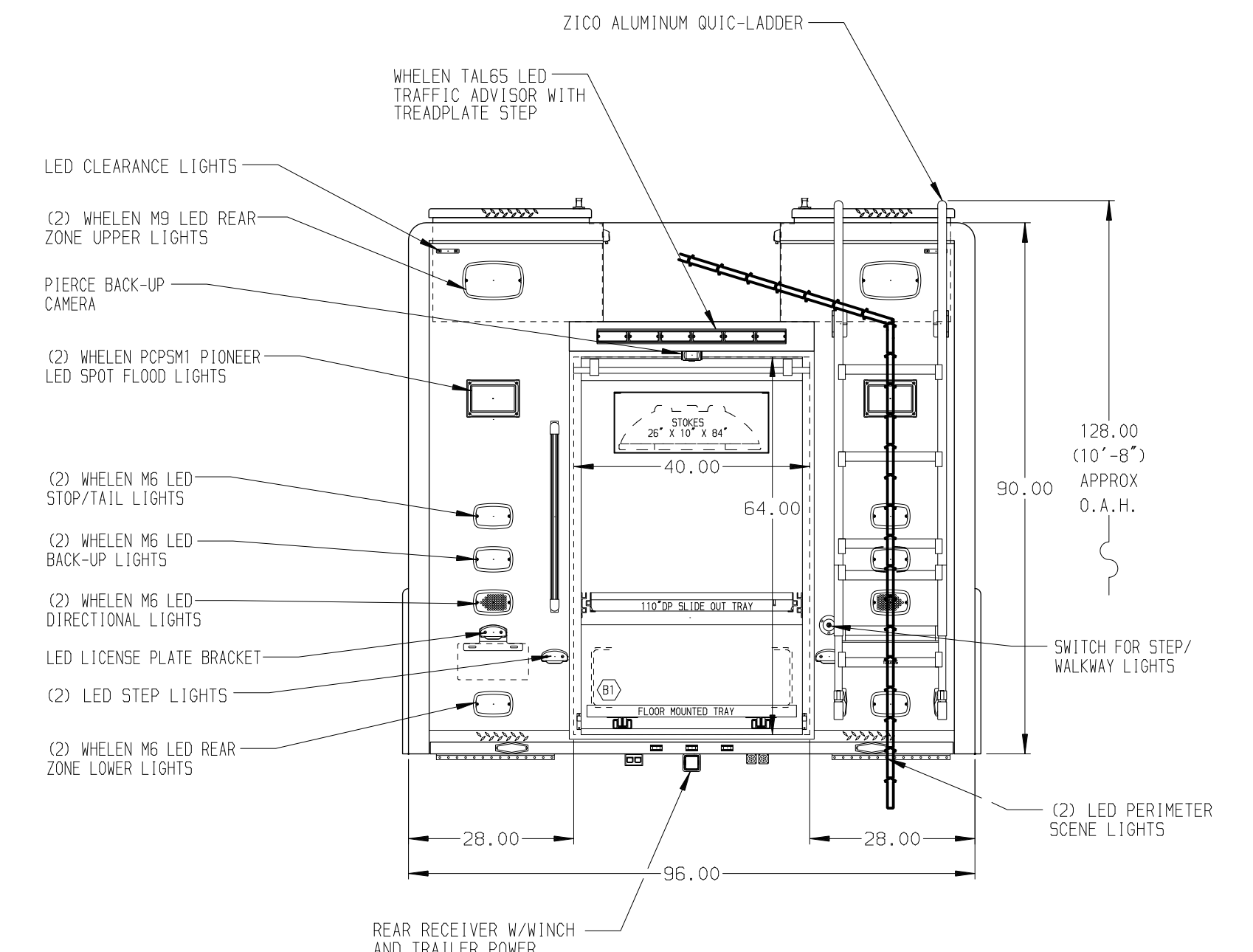
- (1) STD DEPTH ADJ SHELF

COMPARTMENT D3 CONTAINS:

- (1) 1/2 DEPTH ADJ SLIDE OUT/TILT TRAY
- (1) 1/2 DEPTH ADJ SLIDE OUT TRAY
- (1) FLOOR MOUNTED TRAY
- (1) REAR WALL COMPARTMENT DIVIDER

COMPARTMENT D4 CONTAINS:

- (1) 1/2 DEPTH ADJ SLIDE OUT/TILT TRAY
- (1) 2-WAY ADJ SLIDE OUT TRAY
- (1) FLOOR MOUNTED TRAY
- (1) ELECTRIC CABLE REEL W/200' OF 10/3 YELLOW CORD & CAPTIVE ROLLER



CUSTOMER APPROVAL

APPROVED BY: _____

DATE: _____

Pierce MANUFACTURING INC.

JOB NO. 36440

SCALE 1:24 DATE _____

DRAWN BY DHE

CHECKED BY CDK 27APR21

SHEET SIZE D SHEET NO. 1 OF 1

NOTE

DIMENSIONS SHOWN ARE APPROXIMATE AND ARE SUBJECT TO MINOR DEVIATIONS AS MAY OCCUR OR BE NECESSARY IN CONSTRUCTION. MINOR DETAILS NOT SHOWN.

- NOTES:**
1. WARN #9,000 PORTABLE WINCH
 2. FLOOR IN CAB AND CREW CAB TO BE PADDED RUBBER
 3. ELASTIC PULL STRAPS ON ALL BODY ROLL UP DOORS
 4. PIERCE LED LIGHT STRIPS IN ALL BODY AND HATCH COMPARTMENTS
 5. ONAN 25kW SINGLE PHASE PTO DRIVEN GENERATOR WITH SPLASH GUARD LOCATED BETWEEN THE FRAME RAILS
 6. IOTA 75 AMP BATTERY CHARGER LOCATED BEHIND THE DRIVER'S SEAT
 7. S/5 GUARDS ON ALL BODY ROLL-UP DOORS

(SIDE ROLL & FRONTAL IMPACT PROTECTION)

CLEAR DOOR WIDTH KEY

AMOR ROLL UP DOORS:	-2 1/4"
CURTAIN ROLL UP DOORS:	-2 1/2"
PIERCE DOUBLE LIP DOORS:	-4 1/4"
PIERCE LIFT-UP LIP DOORS:	-1 1/2"

(EX: 60" F-F - 2 1/4" = 57 3/4" CLEAR)
(F-F) = FRAME TO FRAME

CHASSIS DATA	TITLE	HEAVY DUTY RESCUE NON-WALKIN
MAKE	FOR	PIERCE STOCK
PIERCE	DWG NO.	36440AD
MODEL		
EN7010		