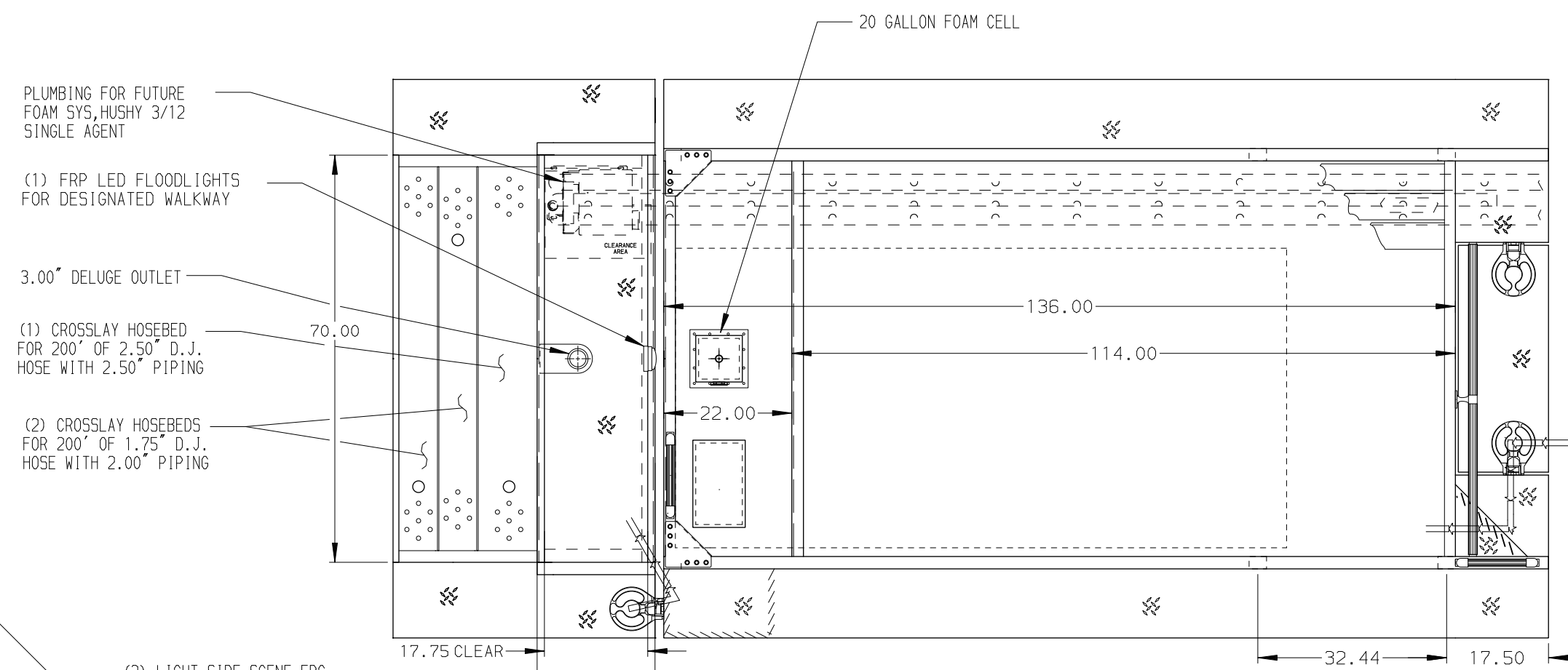
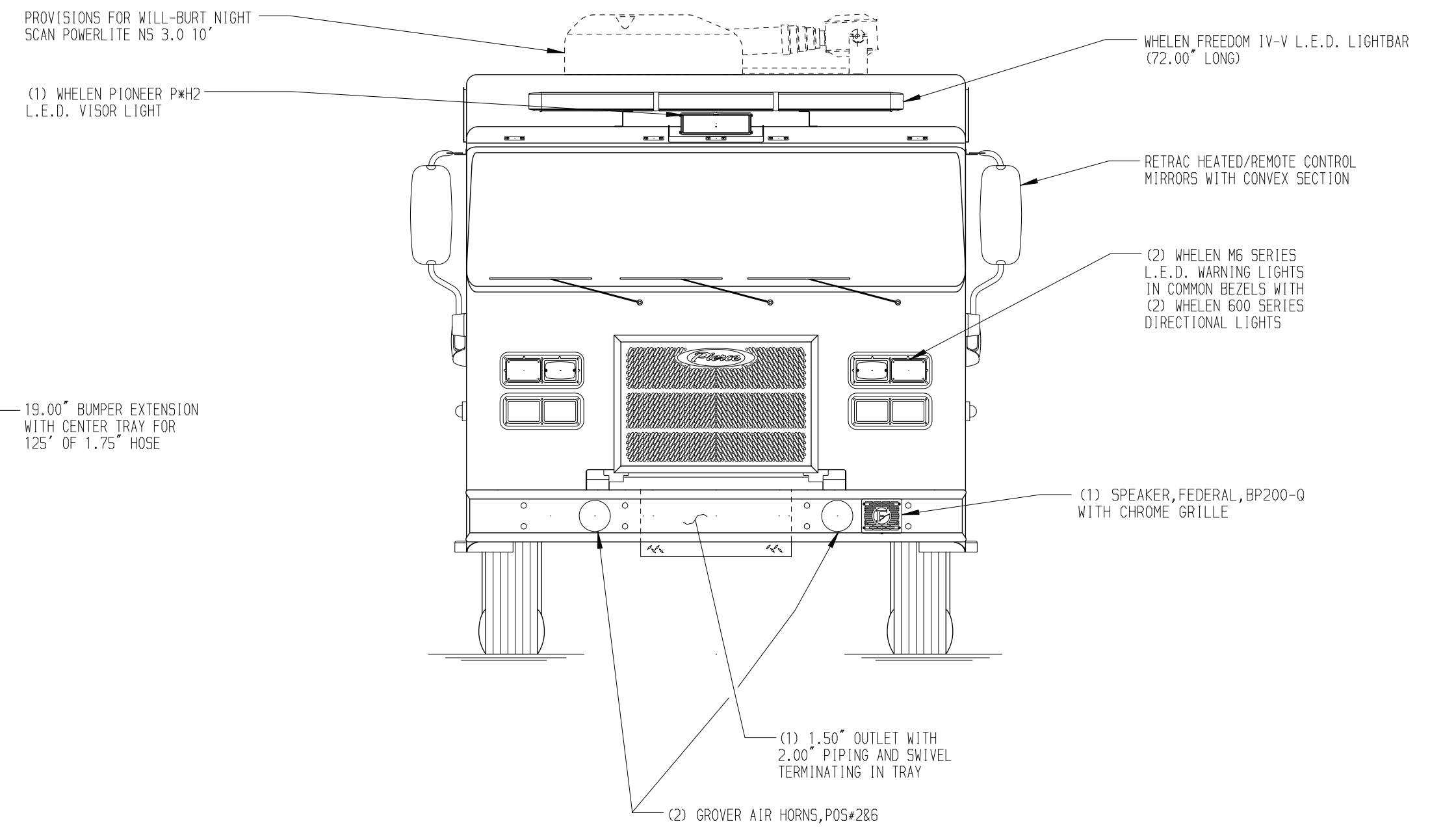
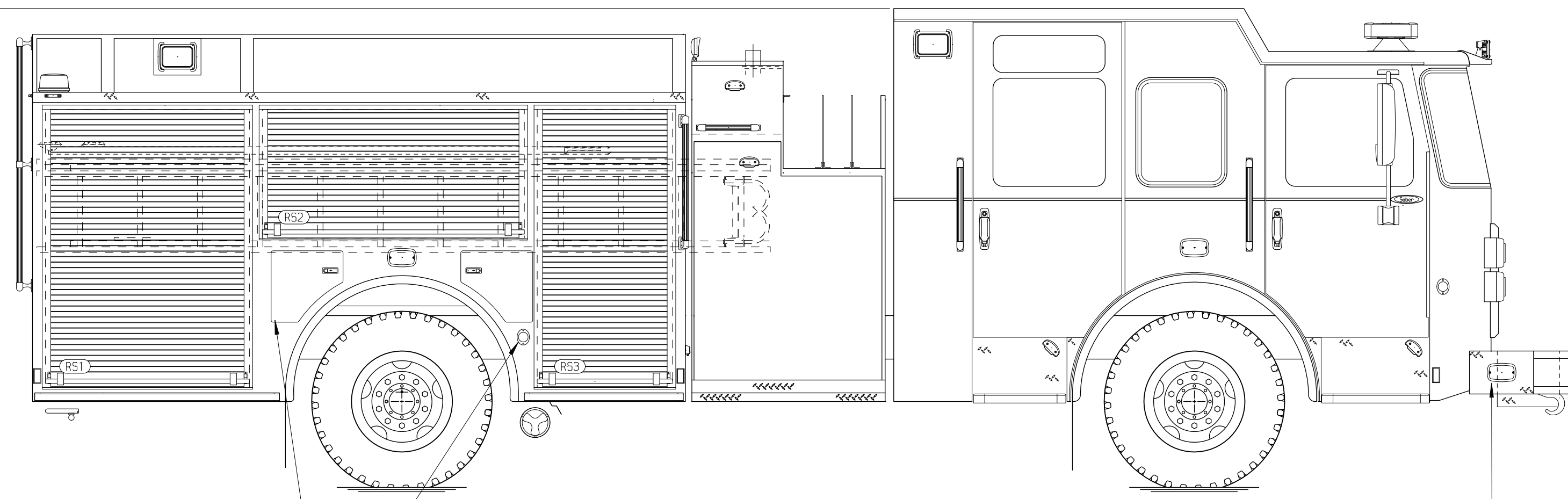
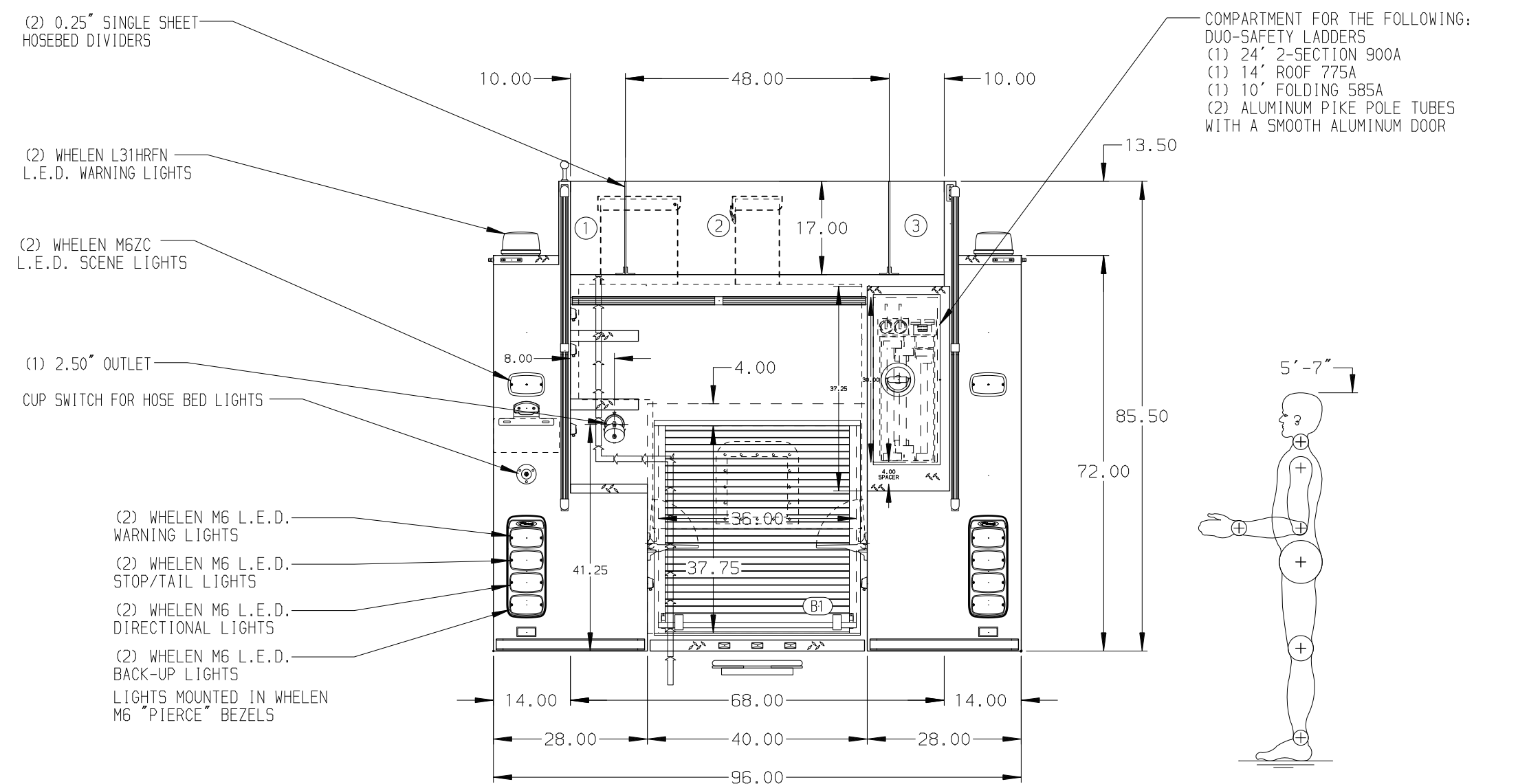
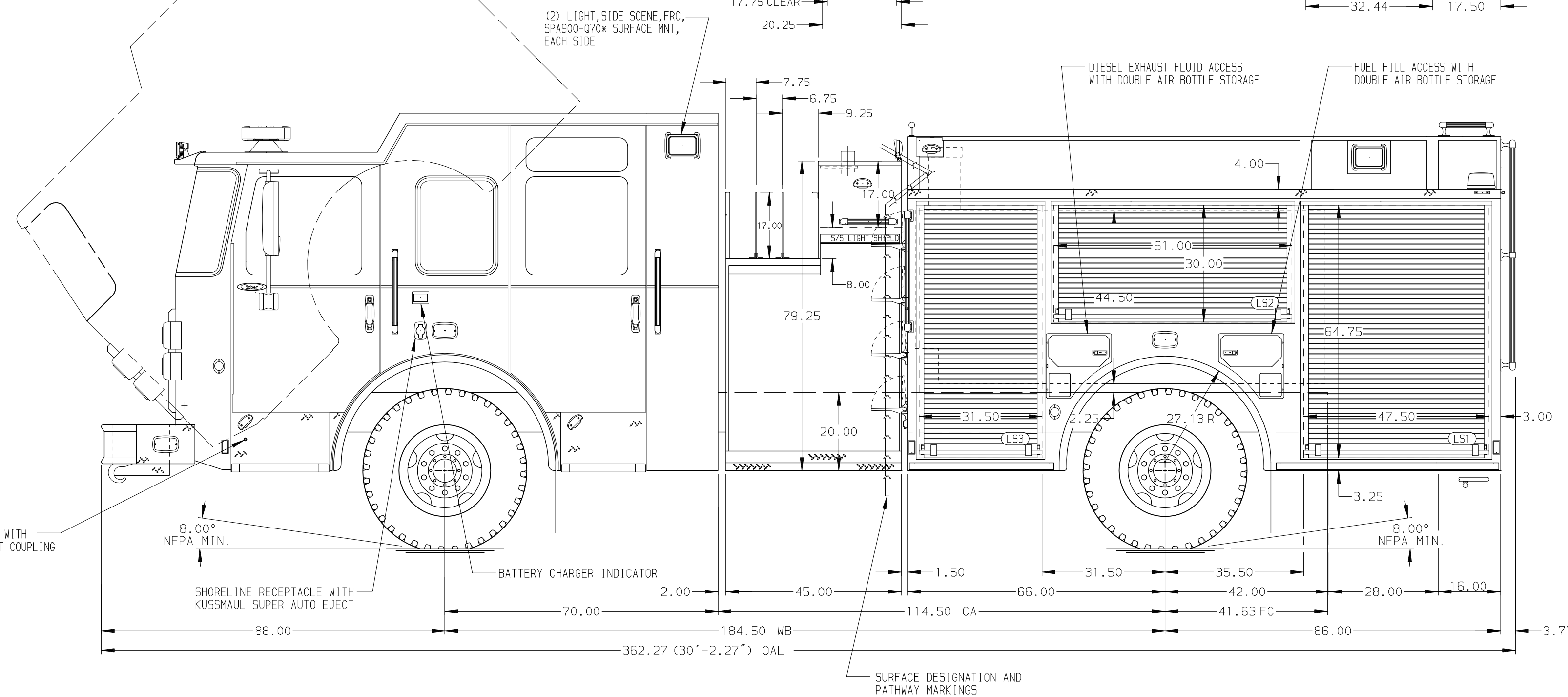


112.00  
(9'-4.00")  
APPROX  
O.A.H.



- HOSEBED CAPACITIES
- ① 200' OF 2.50\"/>



ALUMINUM BODY

NOTE  
DIMENSIONS SHOWN ARE APPROXIMATE AND ARE SUBJECT TO MINOR DEVIATIONS AS MAY OCCUR OR BE NECESSARY IN CONSTRUCTION. MINOR DETAILS NOT SHOWN.

CHASSIS DATA	TITLE	1500-D-770 GAL, 750 WATER, 20 GAL FOAM, 152\"/>
MAKE	FOR	PIERCE FIELD UNIT BRADENTON, FLORIDA
MODEL	DWG NO.	36866AD
SABER FR	REV	

		JOB NO.	36866
		SCALE	1:24
DRAWN BY RHU		DATE	19AUG20
		CHECKED BY CAG	
SHEET SIZE D		SHEET NO. 1 OF 1	