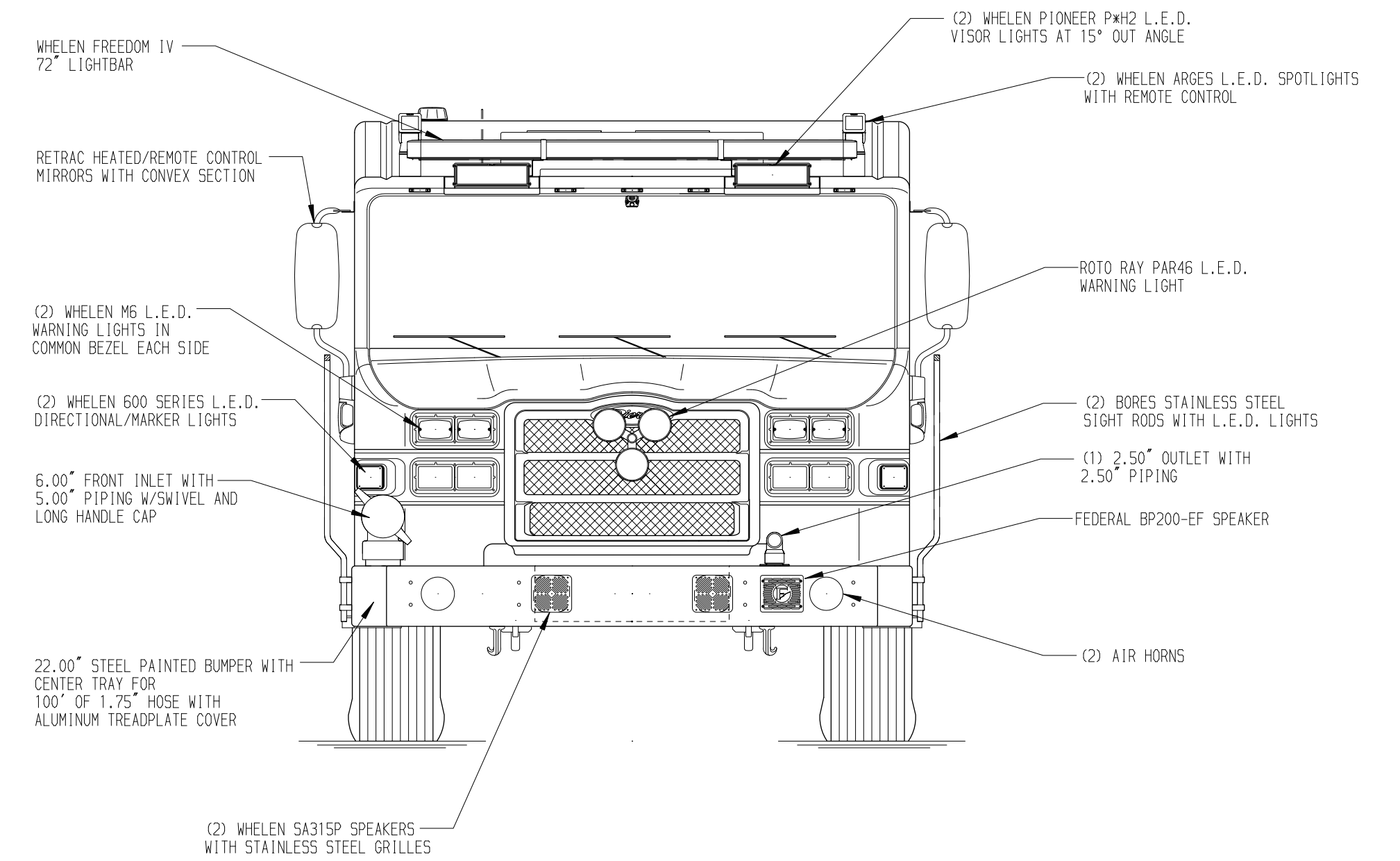
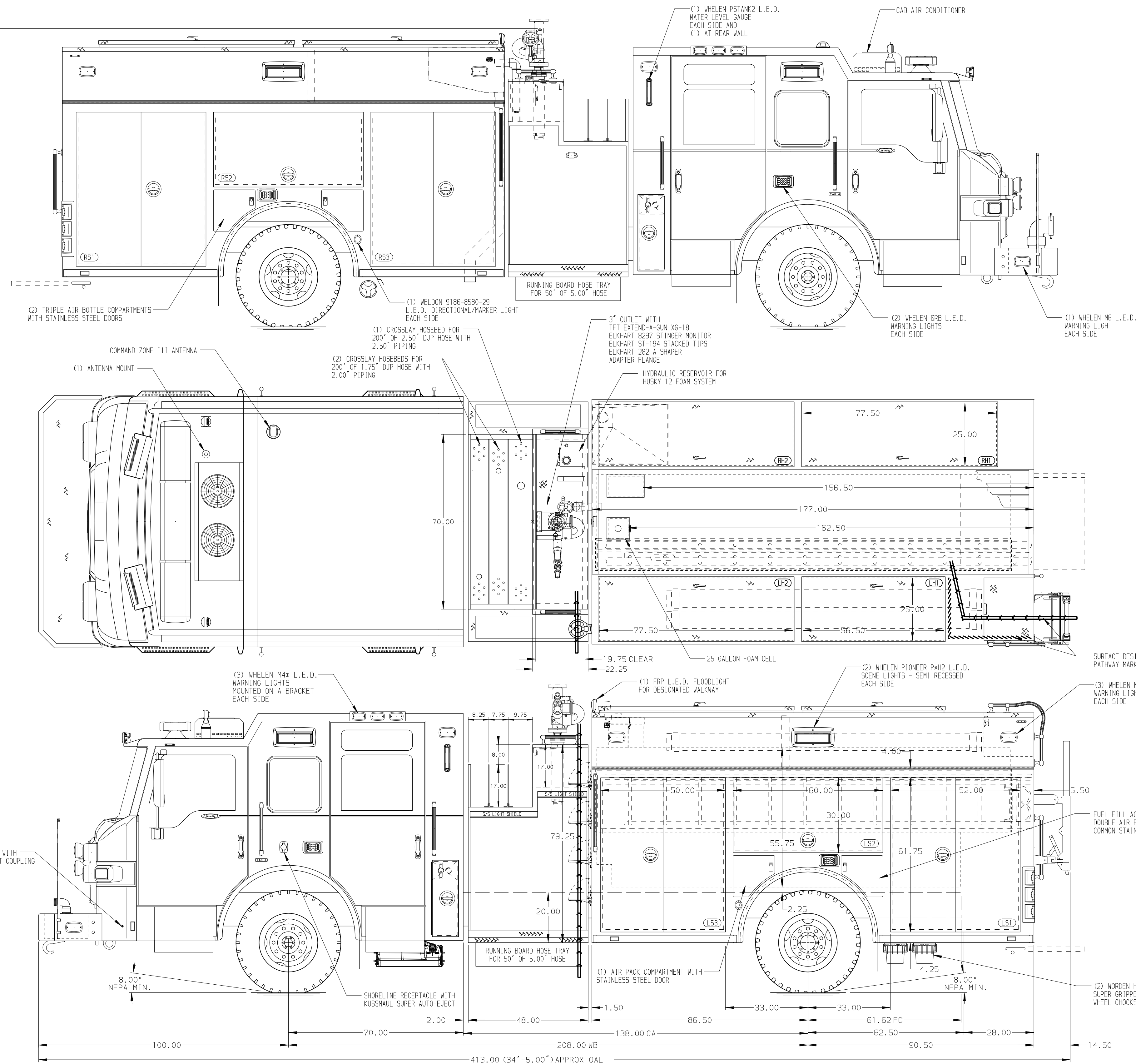
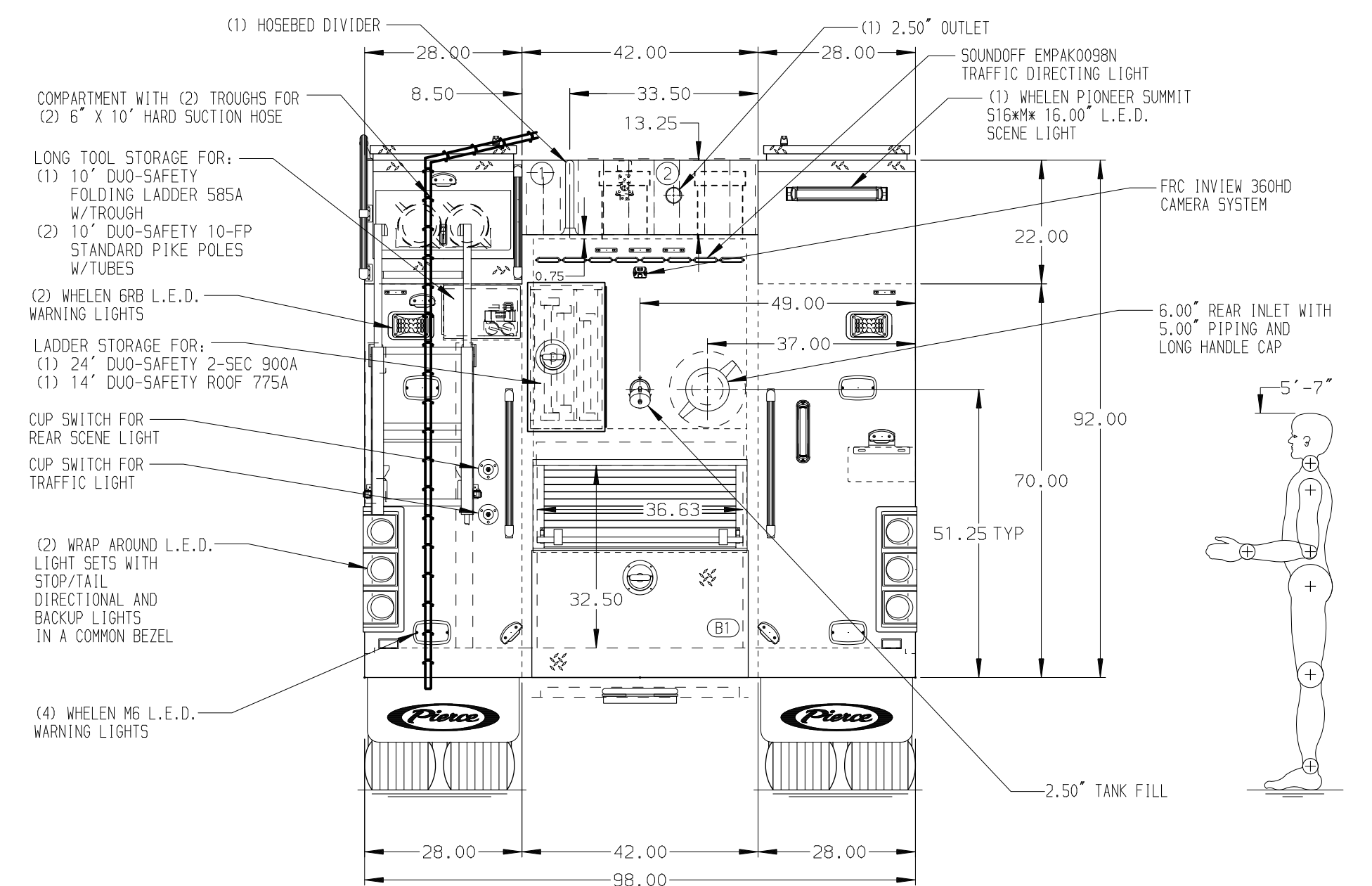


123.00  
(10'-3")  
APPROX  
O.A.H.



HOSEBED CAPACITIES  
 ① - 400' OF 1.50\"/>



ALUMINUM BODY

FRONTAL IMPACT PROTECTION

**NOTE**  
 DIMENSIONS SHOWN ARE APPROXIMATE AND ARE SUBJECT TO MINOR DEVIATIONS AS MAY OCCUR OR BE NECESSARY IN CONSTRUCTION. MINOR DETAILS NOT SHOWN.

1. DEF TANK MOUNTED UNDER CAB ON THE DRIVER'S SIDE
2. TWO PIKE POLE TUBES LOCATED IN TRANSVERSE COMPARTMENT PER ORDER
3. BATTERY CHARGER LOCATED BEHIND DRIVER'S SEAT
4. BATTERY CHARGE INDICATOR LOCATED NEAR DRIVER'S SEAT RISER WITH BRACKET
5. DUAL L.E.D. LIGHT STRIPS LOCATED IN HOSE BED
6. DUAL L.E.D. LIGHT STRIPS IN HATCH COMPARTMENT
7. OIL DRY HOPPER IN RHQ LOCATED PER ORDER

**CUSTOMER APPROVAL**

APPROVED BY: _____			
DATE: _____			
CHASSIS DATA	TITLE	2000-D-1000P, 975G WATER W/25G FOAM, 177\"/>	
MAKE	FOR	DUTTON FIRE DEPARTMENT CALEDONIA, MICHIGAN	
PIERCE	DWG NO.	37940AD-SH1	
MODEL	REV	DATE	BY
VELOCITY FR	CH		



JOB NO. 37940

SCALE 1:24 DATE

DRAWN BY SAM 02DEC22

CHECKED BY CZA 02DEC22

SHEET SIZE SHEET NO.

D 1 OF 2