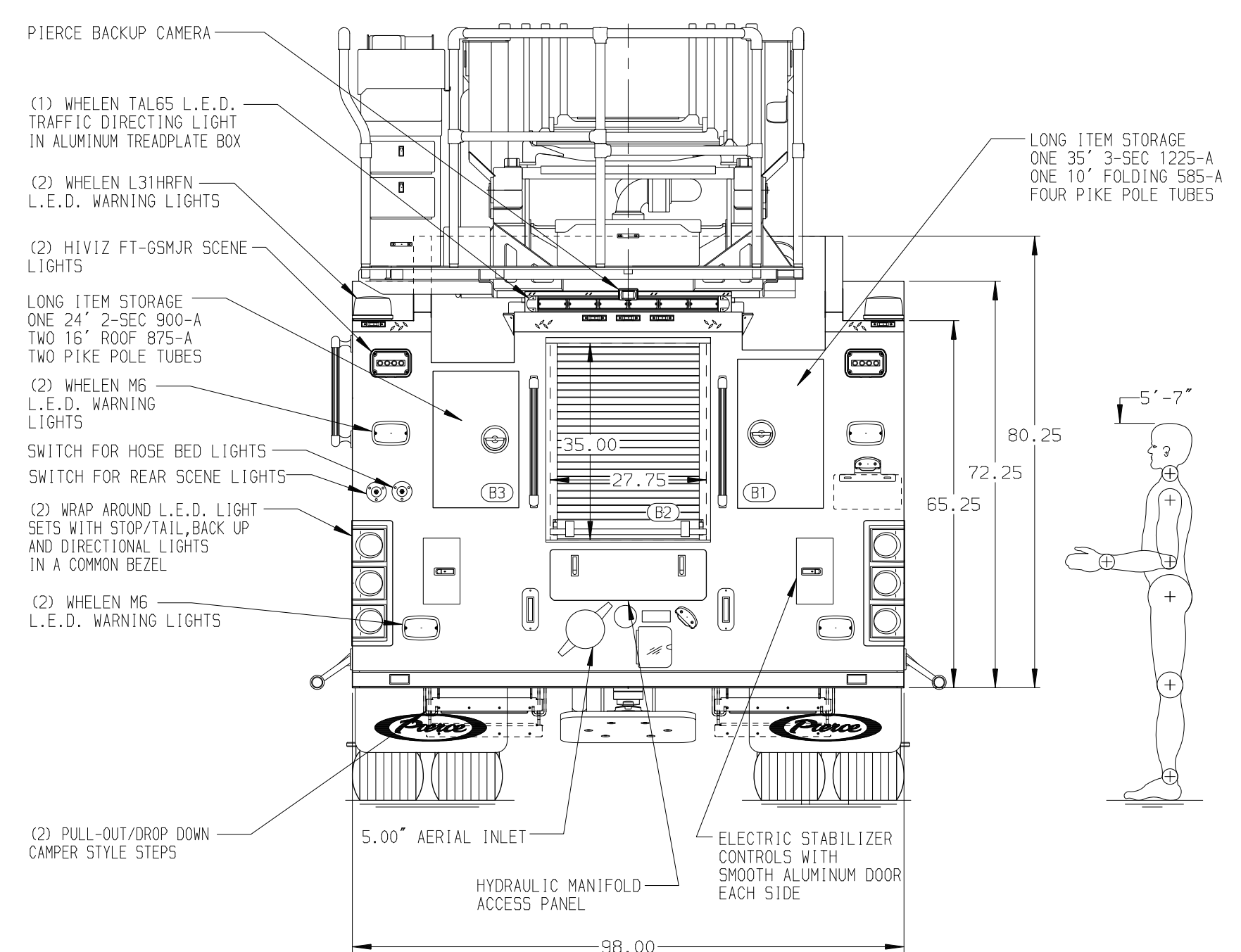
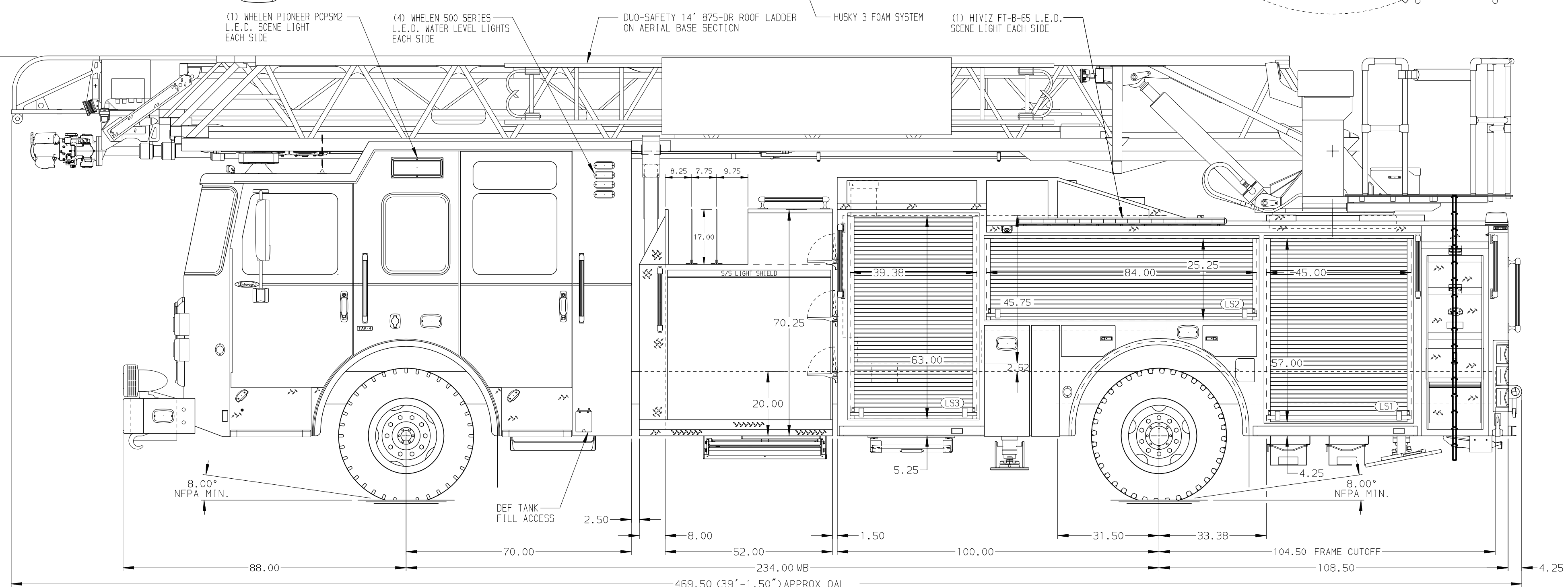


| | |
|--|--|
| <p>BODY</p> <p>107' ASL Aluminum Body</p> <p>COMPT, LEFT SIDE FRONT</p> <p>Full Height RollUp Forward</p> <p>COMPT, LEFT SIDE REAR</p> <p>Full Height RollUp Rearward</p> <p>COMPT, RIGHT SIDE FRONT</p> <p>Full Height RollUp Forward</p> <p>COMPT, RIGHT SIDE REAR</p> <p>Full Height RollUp Rearward</p> | <p>WATER TANK</p> <p>500 Gallon Poly Water Tank</p> <p>Foam System</p> <p>Husky 3 Single Agent Foam System</p> <p>Foam Cell</p> <p>20 Gallon Foam Cell, Non Reduced Water</p> |
|--|--|



| | | | | | | | | | | | | | |
|---|---|--|---|--|---|---|---|--|---|---|--|---|---|
| <p>CHASSIS</p> <p>Enforcer Chassis</p> <p>ENGINE</p> <p>510 HP Paccor MX13 Engine</p> | <p>CAB</p> <p>7010 Enforcer Notched Cab</p> <p>BUMPER</p> <p>19" Extended Painted Steel</p> | <p>AXLE, FRONT, CUSTOM</p> <p>22,800 Lb TAK-4 Axle</p> <p>AXLE, REAR</p> <p>33,500 Lb Meritor Axle</p> | <p>TRANSMISSION</p> <p>Allison 6th Gen, 4000 EV5 P</p> | <p>PUMPHOUSE</p> <p>52" Control Zone Side Mount</p> <p>PUMP</p> <p>2000 GPM Waterous CSU</p> | <p>CROSSLAYS, 1.50"</p> <p>(2) 1.50" Standard Capacity</p> <p>CROSSLAYS, 2.50"</p> <p>(1) 2.50" Standard Capacity</p> | <p>SPEEDLAYS</p> <p>Speedlays Not Required</p> <p>GENERATOR</p> <p>Generator Not Required</p> | <p>SAFETY</p> <p>Side Roll and Frontal Impact Protection</p> | <p>CUSTOMER APPROVAL</p> <p>APPROVED BY: _____</p> <p>DATE: _____</p> | <p>Pierce MANUFACTURING INC.</p> | <p>JOB NO. 40719</p> <p>SCALE 1:24</p> <p>DATE</p> | | | |
| <p>NOTE</p> <p>DIMENSIONS SHOWN ARE APPROXIMATE AND ARE SUBJECT TO MINOR DEVIATIONS AS MAY OCCUR OR BE NECESSARY IN CONSTRUCTION. MINOR DETAILS NOT SHOWN.</p> | | | | | | | | | | <p>1. SHORELINE RECEPTACLE WITH KUSSMAUL SUPER AUTO-EJECT LOCATED ON DRIVER SIDE OF THE CAB</p> <p>2. AIR INLET WITH DISCONNECT COUPLING IN THE DRIVER SIDE STEPELL</p> <p>3. BATTERY CHARGER LOCATED BEHIND DRIVERS SEAT</p> <p>4. NON-RAISED AERIAL PEDESTAL</p> <p>5. ONE 1.50" OUTLET WITH 2.00" PIPING AND SWIVEL LOCATED IN CENTER BUMPER TRAY</p> <p>6. SIX ADJUSTABLE SHELVES LOCATED IN COMPARTMENTS PER ORDER</p> <p>7. THREE FLOOR MOUNTED SLIDE-OUT TRAYS LOCATED IN COMPARTMENTS PER ORDER</p> <p>8. DUAL LIGHT STRIPS LOCATED IN COMPARTMENTS PER ORDER</p> <p>9. ONE CTECH FOUR-DRAWER CABINET LOCATED IN COMPARTMENT PER ORDER</p> <p>10. ONE RECEPTACLE LOCATED IN CAB PER ORDER</p> | <p>10. 1500 GPM HIGH FLOW WATERWAY</p> <p>11. LIMITED RETRACTION NOT REQUIRED</p> <p>12. MOUNTING PROVISIONS FOR FRONT INLET</p> <p>13. RUNG LIGHTING ON AERIAL LADDER</p> | <p>TITLE 107' ASCENDANT AERIAL LADDER AND BODY ASSEMBLY</p> <p>520 GALLON TANK, 500 WATER/20 FOAM</p> <p>FOR PIERCE FIELD UNIT</p> <p>APPLETON, WI</p> <p>DWG NO. 40719AD</p> | <p>DRAWN BY ANZ</p> <p>CHECKED BY THS</p> <p>SHEET SIZE D</p> <p>SHEET NO. 1 OF 1</p> |
| <p>REV</p> <p>DATE</p> <p>BY</p> <p>CH</p> | <p>21AUG23</p> <p>ANZ</p> <p>THS</p> | <p>ENFORCER</p> | <p>CHASSIS DATA</p> <p>MAKE</p> <p>PIERCE</p> <p>MODEL</p> | | | | | | | | | | |