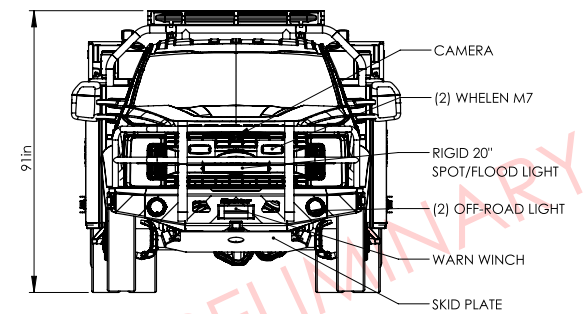
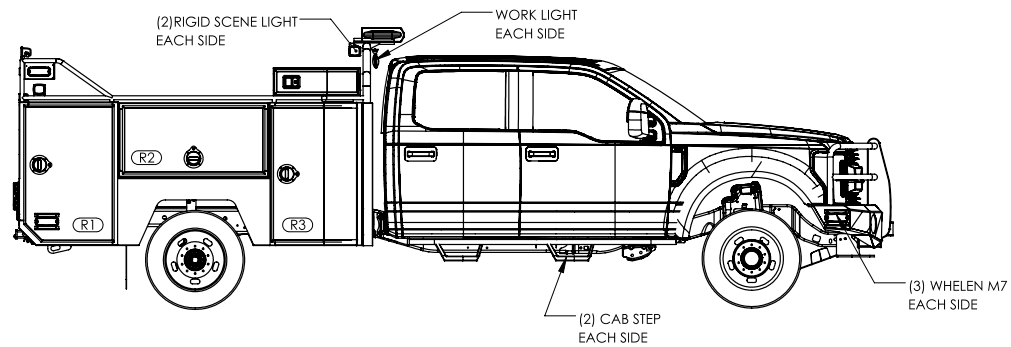


<b>NWCG TYPE 5 WILDLAND ENGINE</b>	
<b>CHASSIS:</b>	F-550 CREW CAB
<b>BODY:</b>	114 RESCUE SIDE
<b>FRONT BUMPER:</b>	SKEETER CUSTOM ALUMINUM



PROPERTY OF  
**SKEETER EMERGENCY VEHICLES**

NOTE: DETAILS AND DIMENSIONS SHOWN ARE APPROXIMATE AND ARE SUBJECT TO MINOR DEVIATIONS AS MAY OCCUR OR BE NECESSARY IN CONSTRUCTION. MINOR DETAILS NOT SHOWN.

PREPARED FOR:  
**VENICE TOWNSHIP FD**

JOB NO.  
**14837**

TITLE:  
**OVERVIEW**

SPEC NO. 7106  
SPEC DATE: 5/23/23

DRAWN BY:  
**ALONDRA P.**  
PRINT DATE: 5/26/2023

SCALE: 1:40  
SHEET 2 OF 3

PRELIMINARY